

# RIEX Sorters and Accessories



---

# RIEX Sorter Waste Bins

Built-in sorters with slides

Built-in sorters for hanging on double wall slides

Sorters and waste bins for cabinets with side opening doors

Sorters for insertion into a drawer

## RIEX Laundry Sorters

## RIEX Accesories

Under sink drawer inserts

Cutlery trays



Made in Italy



Wide selection of sizes,  
widths and accessories



# Made in Italy. Produced in highest quality standards.

RIEX sorters and accessories from this series are designed and made in Italy.



# The right colour for your project

Our anthracite colour matches perfectly with modern interiors and is just right for your project.



# RIEX kitchen sorters. One for every size of a kitchen.

The scope of your project doesn't matter,  
we can fit even the most difficult kitchen.



Width  
300 mm



Width  
400 mm



Width  
450 mm



Width  
500 mm



Width  
600 mm



Width  
700 mm



Width  
800 mm



Width  
900 mm



Volume  
8 l



Volume  
10 l



Volume  
11 l



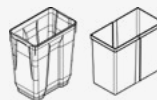
Volume  
13 l



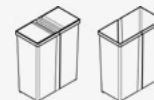
Volume  
26 l



Volume  
29 l



Volume  
30 l



Volume  
40 l

# Sort out rubbish according to your needs.

We love that people sort out waste more and more, and we accommodate that into our selection. Sorting systems nowadays vary based on individual preferences. Some prefer more small containers, while others opt for larger ones. The choice is yours.

1 bin

1+1 bins

2 bins

2+1 bins

3 bins

4 bins



# **RIEX laundry sorters. Make dirty clothes invisible.**

Enjoy the feeling of a clean home even before the laundry is done. Our clever laundry baskets disappear into furniture.



**Tilt-out  
laundry  
baskets**



**Double slides  
laundry  
baskets**





# RIEX kitchen accessories

Organize your kitchen like never before with new RIEK kitchen accessories.



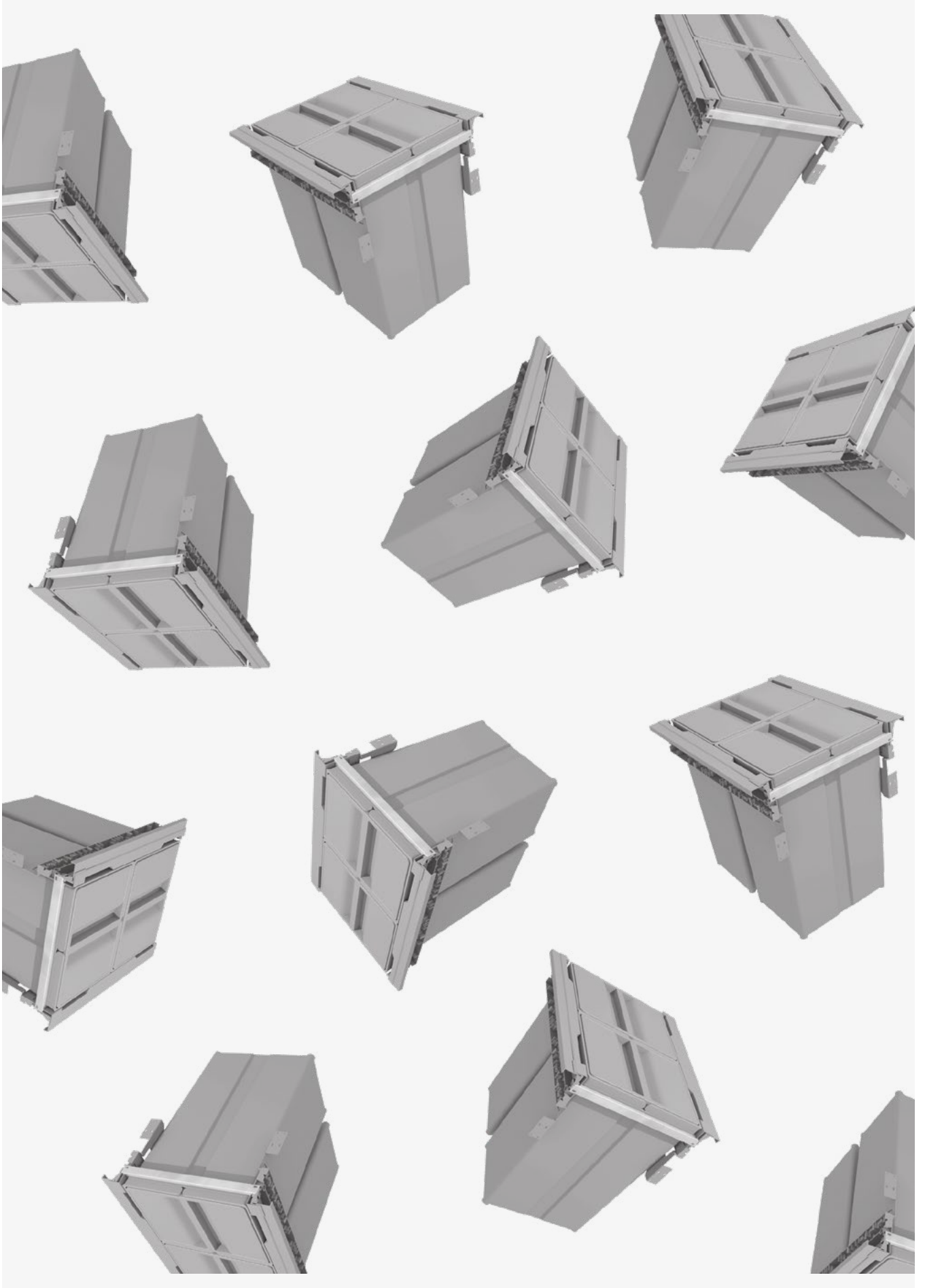
Undersink Inserts



Cutlery trays



# RIEX Kitchen Sorters and Accessories



---

● <b>RIEX Sorters</b>	
Built-in Sorters with Slides	<b>13</b>
Built-in Sorters for Hanging on Double Wall Slides	<b>16</b>
Sorters and Waste Bins for Cabinets with Side Opening Doors	<b>17</b>
Sorters for Insertion Into a Drawer	<b>21</b>

---

● <b>Built-in Bins for Laundry</b>	<b>22</b>
------------------------------------	-----------

---

● <b>Under Sink Drawer Inserts</b>	<b>23</b>
------------------------------------	-----------

---

● <b>Cutlery Trays</b>	<b>24</b>
------------------------	-----------

---

# RIEX Kitchen and Bathroom Accessories

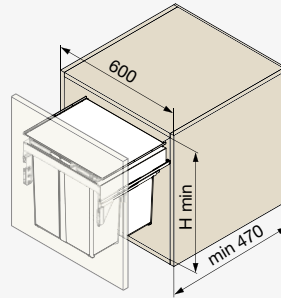
Discover our Italian-produced kitchen sorters, cutlery trays, laundry bins, and under sink inserts. Designed for efficient organization, these products combine functionality with elegant style. Choose from several colour options to enhance the appearance of your kitchen. Experience the excellence of Italian design today and elevate your home organization.

Groups where you can find our products:

- Sorter waste bins
- Bathroom and laundry accessories
- Cutlery trays
- Under sink inserts



● **RIEX GN88 Sorters with Slides, Anthracite**



- Total volume up to 80 L
- 3 heights available: H529, H485 and H320 mm
- Slides include soft closing
- Suitable for cabinets with sides thickness from 16 to 19 mm
- Metal lid ideal for placing sponges and gloves

- Package content:**
- Bins with lids
  - Frame
  - Pair of slides
  - Installation manual



① F007623



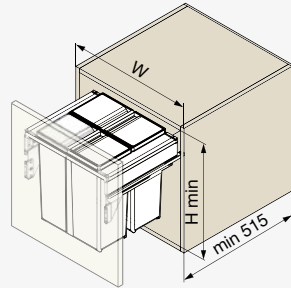
① F007624



① F007625

Cabinet width [mm]	Volume of bins [L]	Code	Installation height – H min [mm]
600	2 × 29 + 2 × 8	F007623	485
	2 × 17 + 2 × 8	F007624	320
	2 × 40	F007625	529

● **RIEX GN87 Sorters with Slides, Anthracite**



- Available for bases 300, 400, 450, 500, 600 mm
- Total volume up to 80 L
- Bins equipped with lids
- 3 heights available: H506, H463 and H304 mm
- Suitable for cabinets with sides thickness from 16 to 19 mm
- Metal frame with plastic sides. Metal middle brackets.

- Package content:**
- Bins with lids
  - Frame
  - Pair of slides
  - Installation manual



① F007626 (300)



① F007628 (450)



① F007627 (400)



① F007629 (500)

Cabinet width – W [mm]	Volume of bins [L]	Code	Installation height – H min [mm]
300	1 × 40	F007626	506
400	2 × 29	F007627	463
450	2 × 29	F007628	463
500	2 × 40	F007629	506



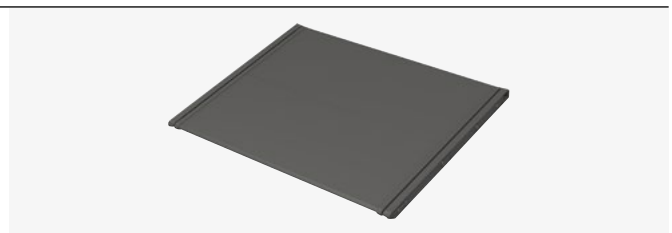
Ⓢ F007631 (600)



Ⓢ F007632 (600)

Cabinet width – W [mm]	Volume of bins [L]	Code	Installation height – H min [mm]
600	2 × 29 + 2x8	F007630	463
	2 × 17 + 2x8	F007631	304
	2 × 40	F007632	506

### ● RIEX Fixed Lids / Shelves for GN87, Anthracite



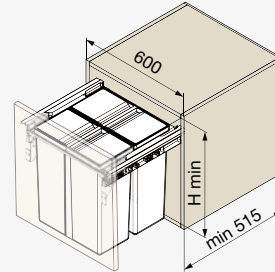
Ⓢ plastic version



Ⓢ metal version

Cabinet width [mm]	Material	Code
300	plastic	F008276
	metal	F008281
400	plastic	F008275
	metal	F008280
450	plastic	F008274
	metal	F008279
500	plastic	F008273
	metal	F008278
600	plastic	F008272
	metal	F008277

● **RIEX GN86 Sorters for Hang on Double Wall Slides, Anthracite**



- Sorter for standard (non slim) double-wall drawers
- Universal solution for different kinds of drawers

**Package content:**

- Bins with lids
- Frame
- Installation manual

① for the complete set, use the double-wall slides in 500 mm or 450 mm length and height +/- 86 mm. e.g.: NX40 – F000441 or F000440.



① F007633



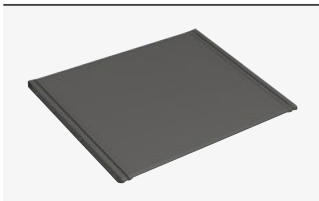
① F007634



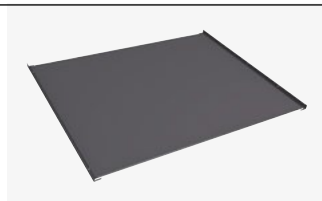
① F007635

Cabinet width [mm]	Volume of bins [L]	Code	Installation height – H min [mm]
600	2 × 29 + 2 × 8	F007633	298
	2 × 17 + 2 × 8	F007634	
	2 × 40	F007635	506

● **RIEX Fixed Lids / Shelves for GN86, Anthracite**



① F008272

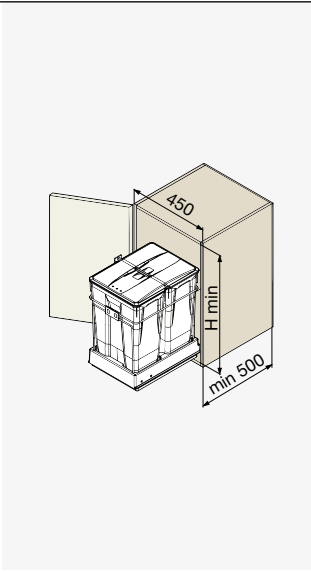


① F008277

Cabinet width [mm]	Material	Code
600	plastic	F008272
	metal	F008277



● **RIEX GN57 Sorters with Bottom Slides, Grey**



- Simple but solid solution with bottom slides
- Available front fix brackets as optional
- Multi use container can be hanged on kitchen cabinet door – under worktop

**Package content:**

- Bins with lids
- Frame with bottom fixed slides
- Installation manual



① F007636



① F007637

Cabinet width from [mm]	Volume of bins [L]	Code	Installation height – H min [mm]
450	2 × 35	F007636	600
	2 × 30	F007637	518

● **RIEX GN57 Sorter Multiuse Container, grey**



① F007639



Code	Type of accessories
F007639	Multi use container 5 L grey with green lid

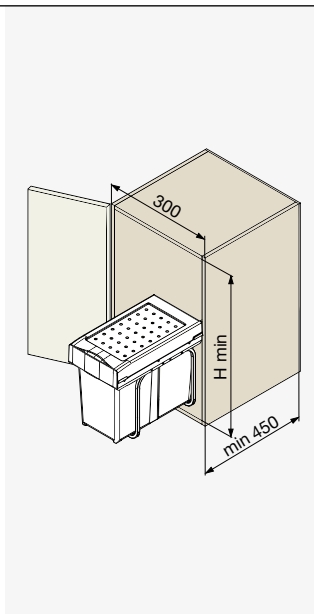
● **RIEX GN57 Sorter Front Door Brackets**



① F007638

Code	Type of accessories
F007638	Door fix brackets

● **RIEX GN52 Sorters**  
with Slides, Bottom Installation, Anthracite



- Basic model for installation to bottom of cabinet
- Non automatic pull out
- Easy for installation
- Only fix to cabinet – packed completed

**Package content:**

- Bins
- Frame with lid and slides
- Installation manual



① F007640



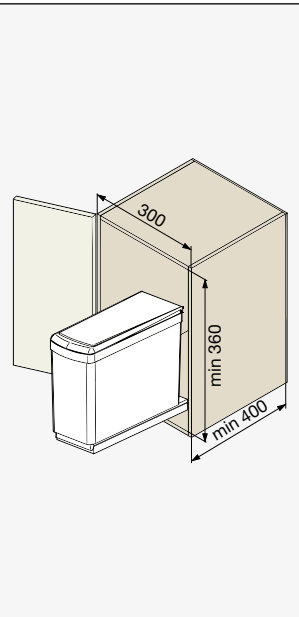
① F007641



① F007642

Cabinet width from [mm]	Volume of bins [L]	Code	Installation height – H min [mm]
300	1 × 40	F007640	537
	1 × 30	F007641	400
	3 × 10	F007642	400

● **RIEX GN58 Sorters with Bottom Pull-out System**



- Basic model for installation on bottom
- Pulls out by hand
- Various colours

- Package content:**
- Bins with lid
  - Frame with bottom system of slides
  - Installation manual



Ⓜ F007643



Ⓜ F007646



Ⓜ F007644



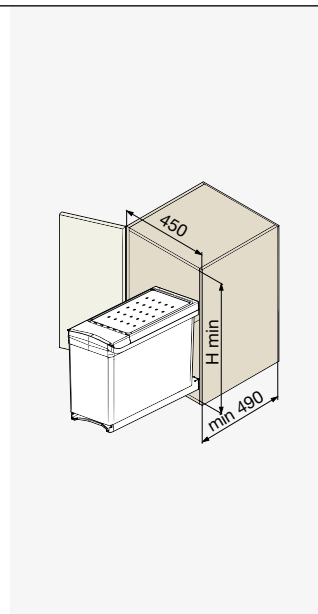
Ⓜ F007647



Ⓜ F007645

Cabinet width from [mm]	Volume of bins [L]	Colour	Code	Installation height [mm]
300	2 × 7,5	white	F007643	360
		light grey	F007644	
	1 × 16	white	F007645	
		light grey	F007646	
		grey + stainless steel	F007647	

## ● RIEX GN50 Sorters with Automatic Pull-out System, Quartz Grey



- Simple but clever solution with automatic pull out
- 2 heights and capacities

**Package content:**

- Bins
- Frame lid and bottom system of slides
- Installation manual

Cabinet width from [mm]	Volume of bins [L]	Code	Installation height – H min [mm]
450	2 × 21	<b>F007648</b>	433
	2 × 16	<b>F007649</b>	372

## ● RIEX GN37 Sorters



- Simple round model of waste bin with automatic opening lid
- Stainless steel or plastic case

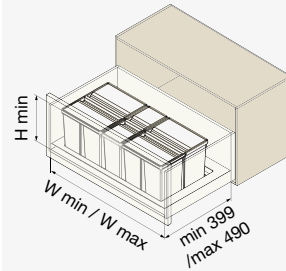
**Package content:**

- Bin
- Frame for installation
- Installation manual



Cabinet width from [mm]	Volume of bins [L]	Colour	Code	Installation height
400	13	grey + stainless steel	<b>F007650</b>	400
		black + stainless steel	<b>F007651</b>	
		white	<b>F007652</b>	
		grey + stainless steel	<b>F007653</b>	

## ● RIEX GN09 Sorters to Insert to Drawer, Anthracite



- The tray with bins is simply placed at the bottom of the kitchen drawer
- Big volume of bin up to 26L
- Ideal solution for under the sink drawer

**Package content:**

- Bins with lids

ⓘ The base is sold separately



ⓘ F007654 + F007655



ⓘ F007656 + F007657



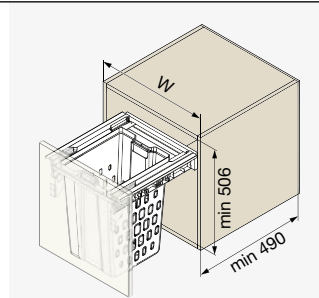
ⓘ F007658 + F007660



ⓘ F007659 + F007660

Cabinet width [mm]	Volume of bins [L]	Code bins	Code base	Installation height H min [mm]	Base width W min / W max [mm]
900	2 × 26 + 1 × 11	F007654	F007655	280	730 / 840
700/800	1 × 26 + 2 × 11	F007656	F007657		580 / 740
600	1 × 26 + 1 × 11	F007658	F007660	212	429 / 540
600	1 × 26 + 1 × 11	F007659			

● **RIEX GN76 Laundry Bins for Hang on Double Wall Slides, White**



- Universal solution for different drawer brands
- All in white

**Package content:**

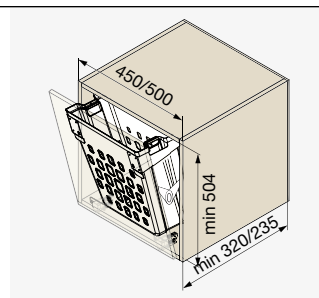
- Bins
- Frame for installation in double wall slides
- Installation manual



ⓘ for the complete set, use the double-wall slides in 500 mm length and height +/- 86 mm. e.g.: NX40 – F000441

Cabinet width – W [mm]	Volume of bins [L]	Code	Installation height [mm]
600	2 × 40	<b>F007679</b>	506
	1 × 50	<b>F007680</b>	
450	1 × 50	<b>F007681</b>	
400	1 × 40	<b>F007682</b>	

● **RIEX GN77 Laundry Bins Tilt Out Laundry Basket, White**



- All accessories available
- Hinges to be provided by customer

**Package content:**

- Bins with metal frame
- Pair of opening mechanisms



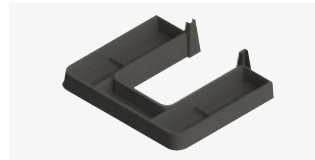
Cabinet width from [mm]	Volume of bins [L]	Code	Installation height [mm]
450	1 × 50	<b>F007683</b>	504
500	1 × 40	<b>F007684</b>	

ⓘ The door must be attached to 2 hinges. Recommended full overlay hinges – e.g. F000001 or F000058

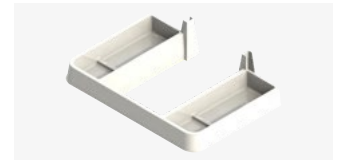
● RIEX Undersink Inserts  
GM04 and GM05



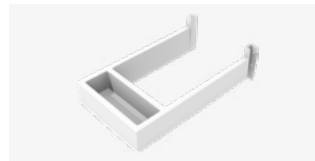
- Enclosure to protect the bottom cutout at the under sink drawer
- Available in two depths and equipped with lateral/frontal trays
- All models are available in anthracite and white colour



① F007707



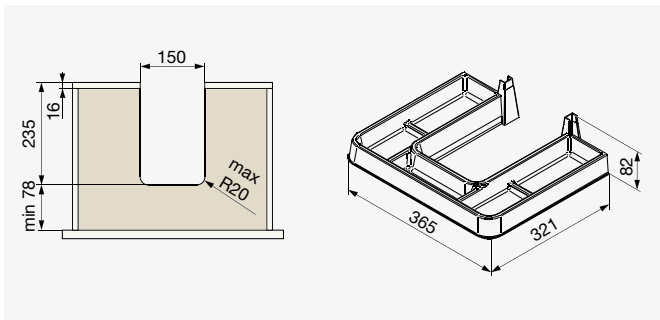
① F007708



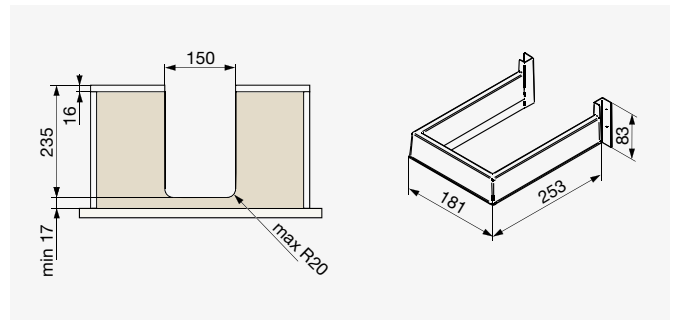
① F007677



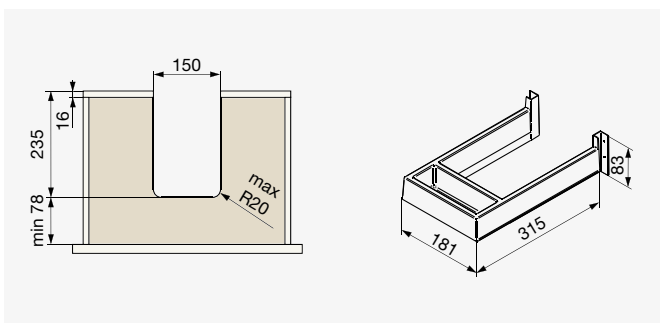
① F007678



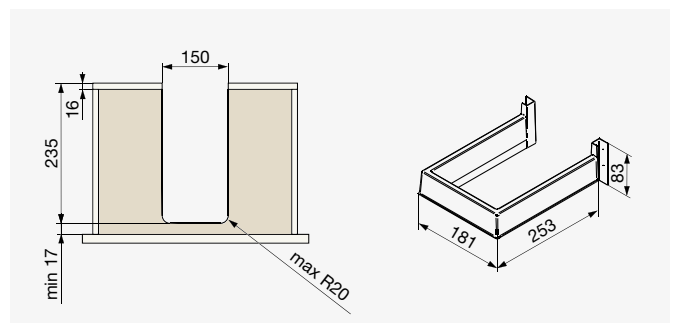
① GM04 (L) – F007673, F007707



① GM04 (S) – F007674, F007708



① GM05 (L) – F007675, F007677



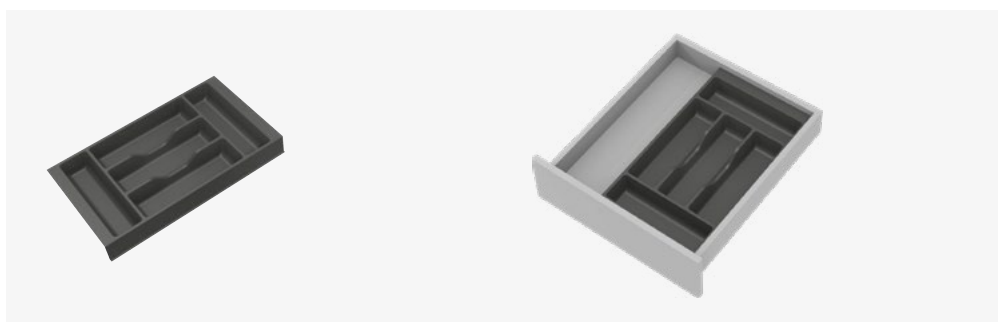
① GM05 (S) – F007676, F007678

Model	Cabinet width from [mm]	Min drawer depth [mm]	Colour	Code
GM04	500	350 (L)	white	F007673
			anthracite	F007707
		270 (S)	white	F007674
			anthracite	F007708
GM05	300	350 (L)	white	F007675
			anthracite	F007677
		270 (S)	white	F007676
			anthracite	F007678

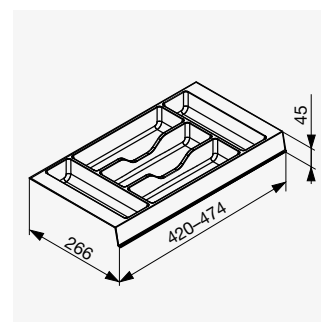
● **RIEX GM22 Cutlery Trays in Anthracite**



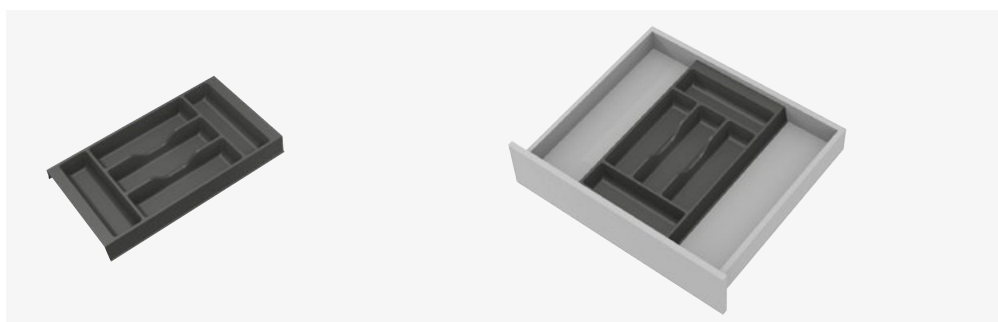
- Clever solution of cutlery tray
- We recommend adding an anti-slip mat to the free area next to the cutlery trays
- The dimensions are independent of the width of the drawer
- Precuted for length 474 mm – most used depth for 500 mm drawers
- Side versions are possible to fit to left or right side of drawer



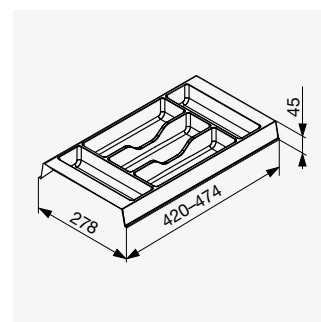
① **F007661** – can be placed on both the left and right side of the drawer



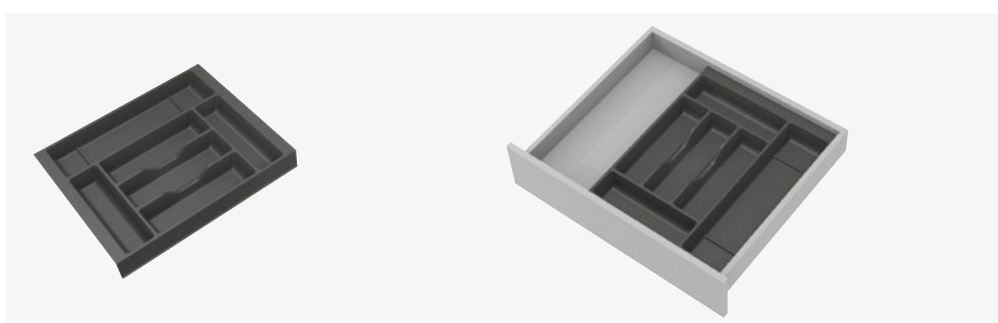
① **F007661**



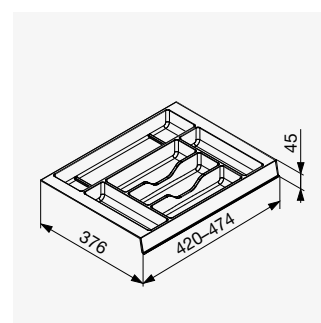
① **F007662** – can be placed in the center of the drawer



① **F007662**

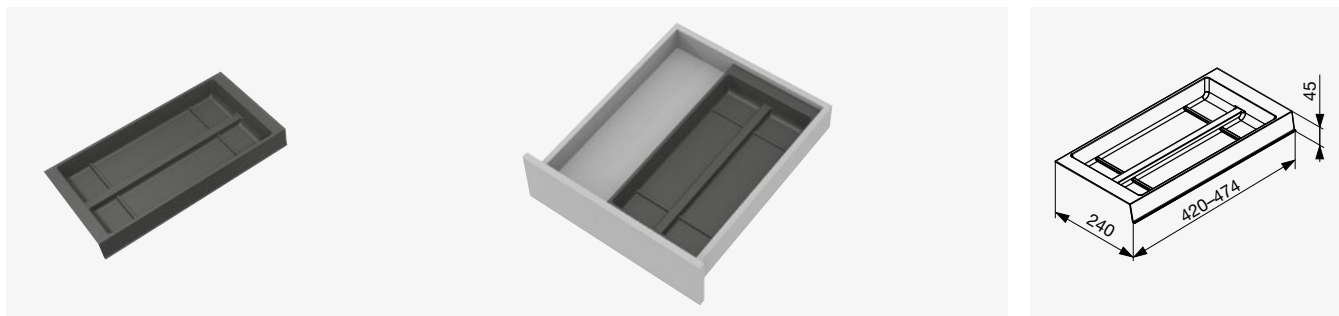


① **F007663** – can be placed on both the left and right side of the drawer



① **F007663**





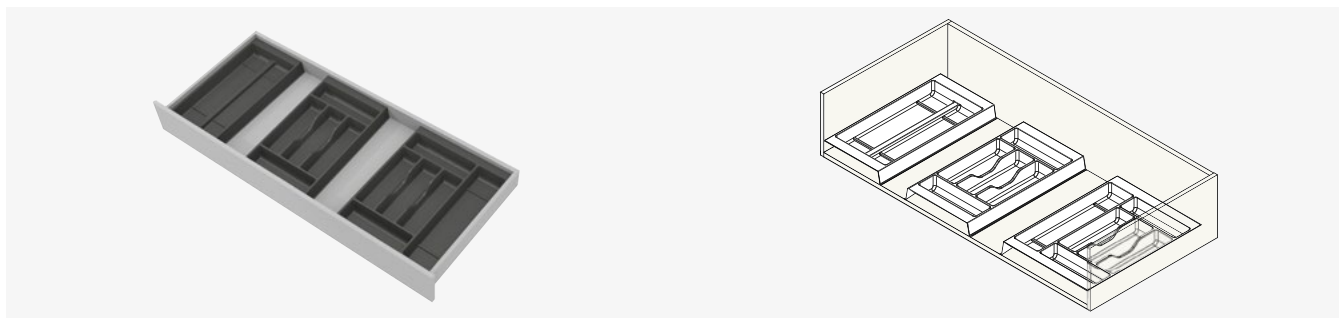
① F007664 – can be placed on both the left and right side of the drawer

① F007664

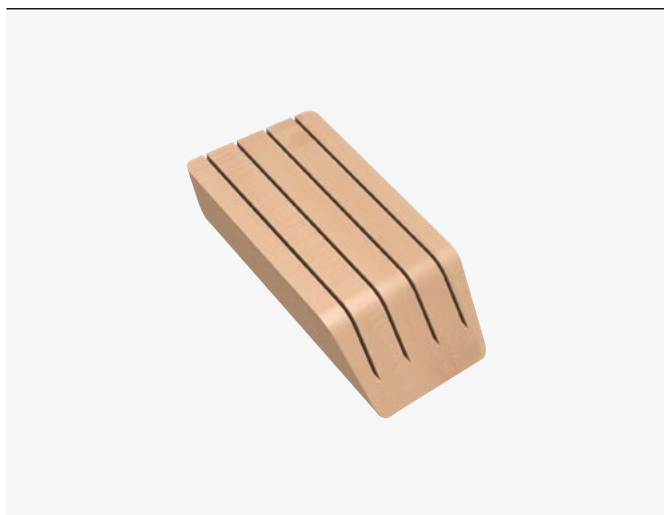
Cutlery tray width [mm]	Position	Code	Depth
266	Side (left or right)	F007661	420 - 474
278	Central	F007662	
376	Side (left or right)	F007663	
240	Side (left or right)	F007664	

① We recommend combining with an anti-slip mat e.g. F003490

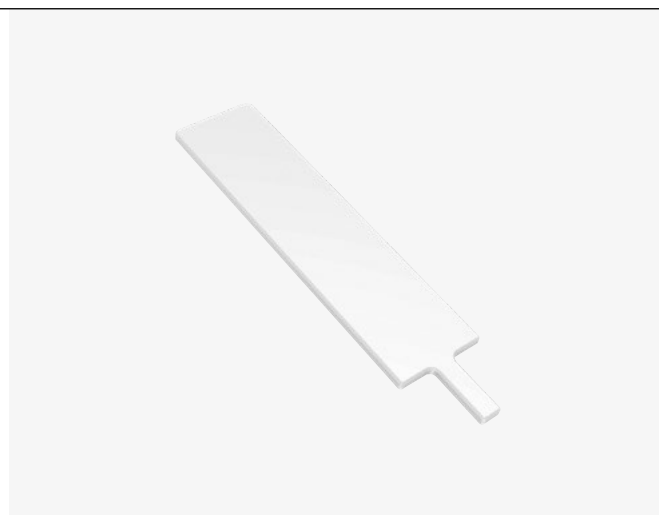
① Example of application – Possible to combine all cutlery trays to fit the ideal combination. For example F0077663 + F007662 + F007664.



## ● Accessories for Cutlery Trays GM22



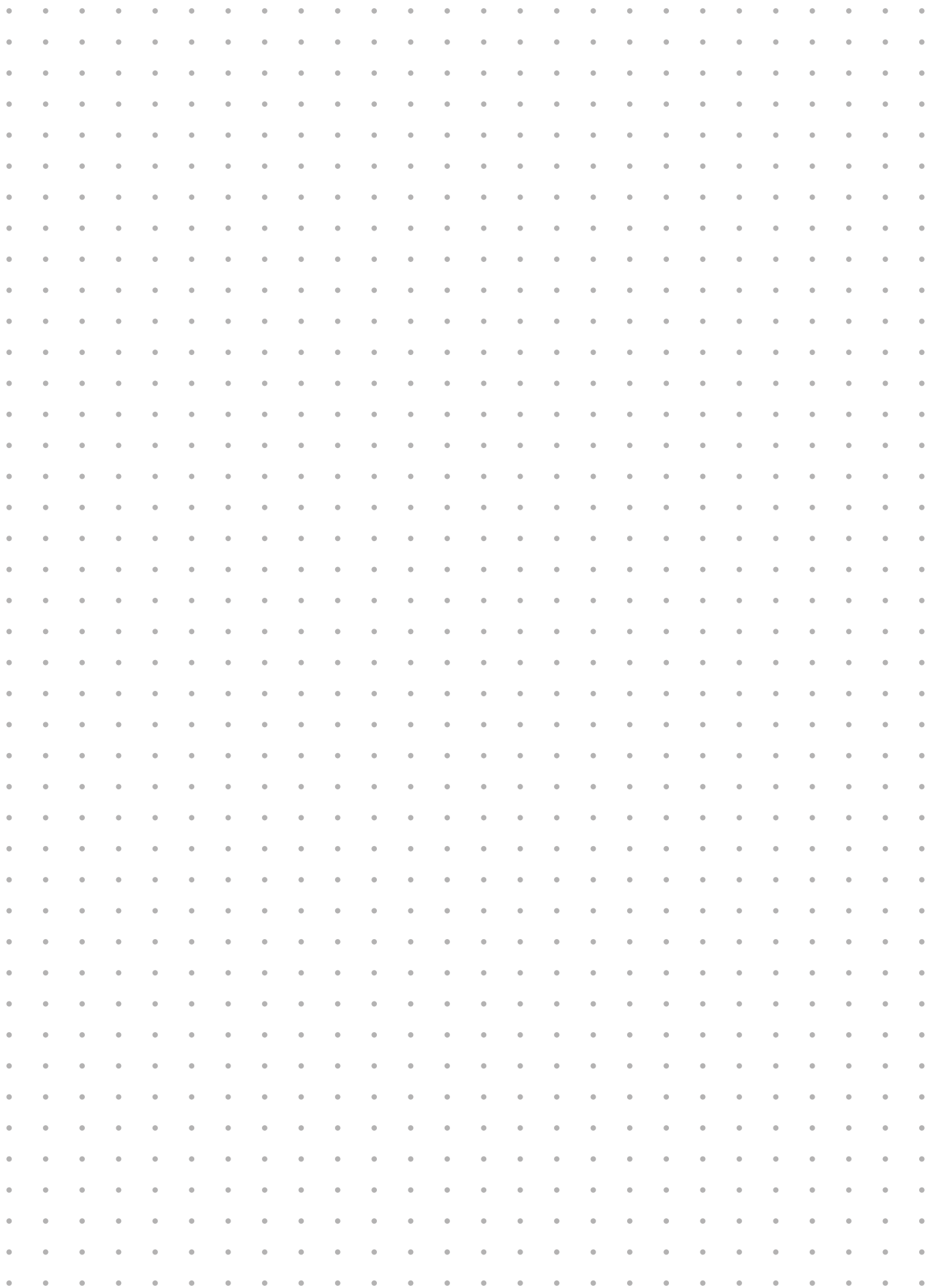
① F007665



① F007666

Code	Type of sortiment	For product
F007665	Knife holder (wood)	F007663, F007664
F007666	Chopping board	F007664

# Notes





**Contact**

[www.hranipex.co.uk](http://www.hranipex.co.uk)  
[uk-hranipex@hranipex.com](mailto:uk-hranipex@hranipex.com)  
0121 767 9180

**HRANIPEX LIMITED**

Unit 2 Radial Park  
Birmingham Business Park  
Solihull Parkway  
Birmingham, B37 7YN  
United Kingdom